





## WH148 3PIN Single potentiometer

Resistance range (Ohms) : 1K~500K

Resistance deviation: plus or minus 20%

Resistance change feature: B

Maximum service voltage :AC150V

Rated power: 0.125w

Rotation noise: <47MV

Residual value: Term. 1-2 < 20  $\Omega$

Term 2-3 < 20  $\Omega$

Insulation resistance: wiring 100 m  $\Omega$  at DC500V

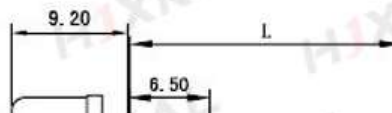
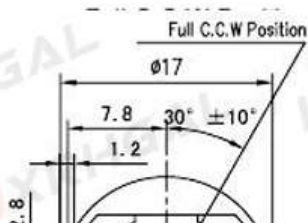
Rotation Angle: 300° + 5°

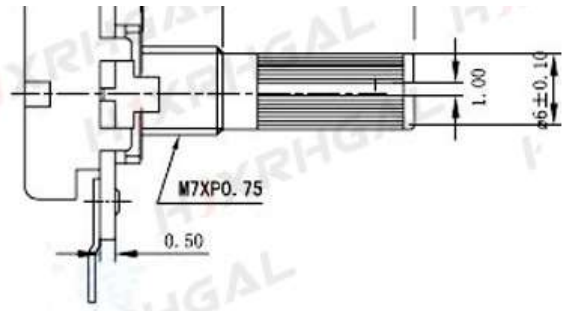
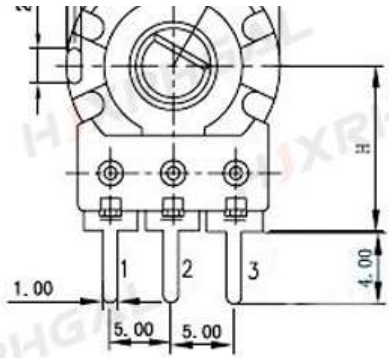
Rotation moment: 20gf. Cm ~200gf. Cm

Stop torque: 5 KGF. Cm Min

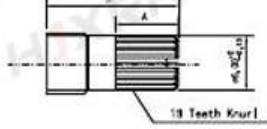
Shaft handle pull-out strength: 6.0 KGF. Cm Min.

Rotation life: 10,000 cycles

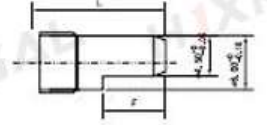




	<input type="checkbox"/>	<input type="checkbox"/>	<input type="checkbox"/>
L	15	20	25
A	6	11.5	12



	<input type="checkbox"/>	<input type="checkbox"/>	<input type="checkbox"/>
L	15	20	25
F	7	12	12



	<input type="checkbox"/>	<input type="checkbox"/>	<input type="checkbox"/>
H	12.5	18	22.5

