

Relay Shield (ie 5V Quad Relay Module) is a small current signal control power equipment commonly used electronic module, enabling high-power single-chip control devices are widely used in SCM system to make smart home project;and can be directly plugged into the compatible the use of various types of motherboards,eliminating the patch cable troubles.

**Module features are as follows:**

- Standard For Shield interfaces and shape
- Can continue to stack other For expansion boards
- 3 M3 screw positioning holes for easy installation
- High Drive (5V or 3.3V) normally open contact closure
- Onboard relay indicator (red)

**Special Note:** When using the For UNO board connected to it, because UNO USB interface is extremely high,should avoid green terminals are shorted its shell.

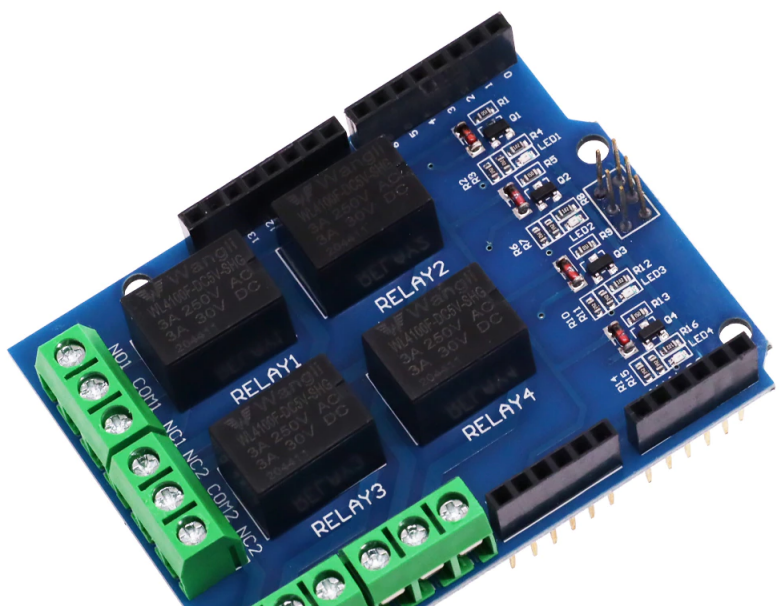
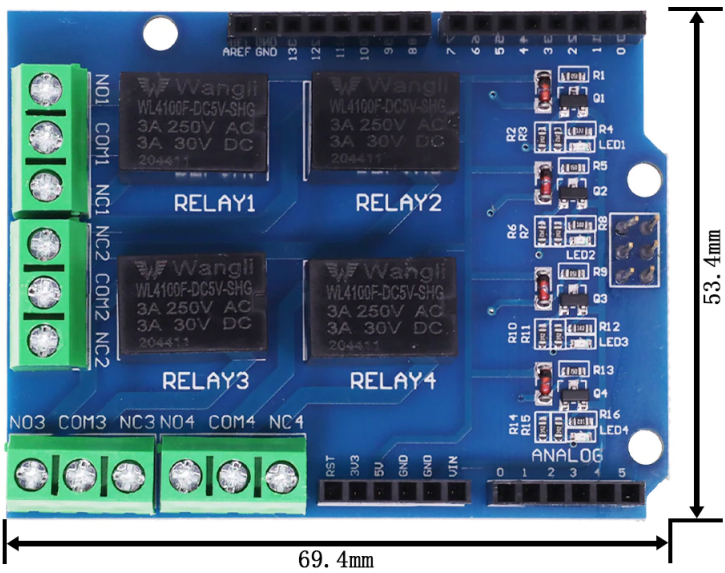
Relay Shield Interface: (the last picture show)

Relay: sky- 5V DC relay,model HJR-4102-L-5V,which Relay1 behalf of the 1st relay ,the other and so on.

Power Interface: 5V DC power interface

Indicator: four lights are red when the relay is driven high,the corresponding indicator will light up.

Relay Terminals: Terminal high-power,high-current high voltage can be connected to the device.The 1st foot ( i.e. NOx) is a normally open pin,NCx pin is normally closed,COMx is common, i.e.,when the relay is not driven,NOx and COMx open between two pins,NCx and COMx connection;When the relay (x) control signal pin is high drive relays,NOx and COMx connection open between NCx and COMx.



Relay Shield (ie 5V Quad Relay Module) is a small current signal control power equipment commonly used electronic module, enabling high-power single-chip control devices are widely used in SCM system to make smart home project; and can be directly plugged into the compatible the use of various types of motherboards, eliminating the patch cable troubles.

Module features are as follows:

- 1. Standard For Shield interfaces and shape
- 2. Can continue to stack other For expansion boards
- 3. 3 M3 screw positioning holes for easy installation
- 4. High Drive (5V or 3.3V) normally open contact closure
- 5. Onboard relay indicator (red)

Special Note: When using the For UNO board connected to it, because UNO USB interface is extremely high, should avoid green terminals are shorted its shell.

Relay Shield Interface: (the last picture show)

Relay: sky- 5V DC relay , model HJR-4102-L-5V, which Relay1 behalf of the 1st relay , the other and so on.

Power interface : 5V DC power interface

Indicator: four lights are red when the relay is driven high , the corresponding indicator will light up.

Relay Terminals: Terminal high-power , high-current high voltage can be connected to the device. The 1st foot ( i.e. NOx) is a normally open pin , NCx pin is normally closed , COMx is common, i.e., when the relay is not driven , NOx and COMx open between two pins , NCx and COMx connection : When the relay (x) control signal pin is high drive relays , NOx and COMx connection open between NOx and COMx.

