

**Moteur 17HS4401 1 pièce**

**1 pièce de fil de 100CM**

**3 pièces de moteur 17HS4401**

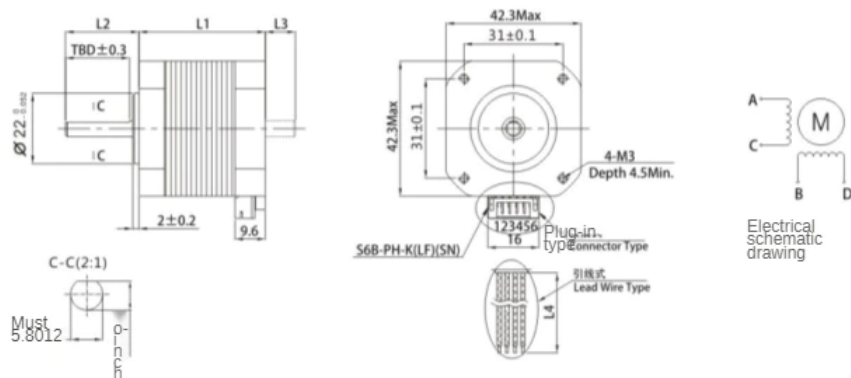
**3 pièces de fil de 100CM**

**Moteur 17HS4401 5 pièces**

**5 pièces de fil de 100CM**

**Attention!!! Lorsque la quantité d'achat dépasse 10, nous choisirons un canal de livraison personnalisé. Il est possible de choisir UPS DHL TNT Fedex ou EMS et d'autres canaux postaux pour vous.**

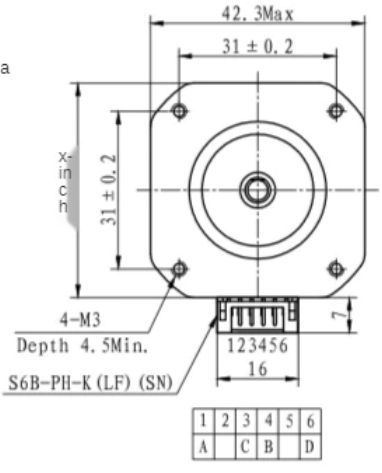
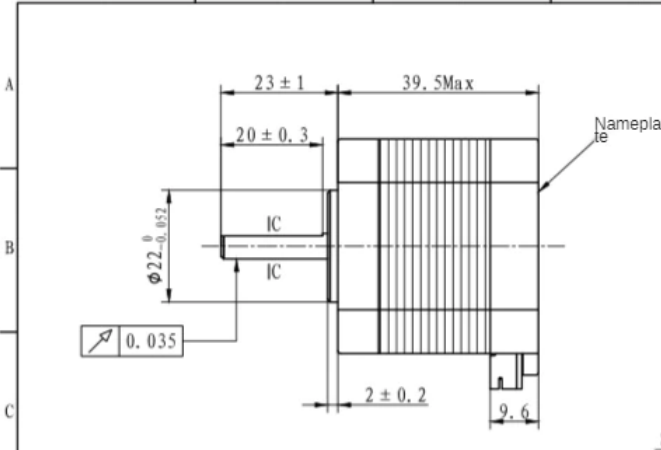
Motor outline drawing



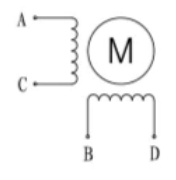
Product Parameters

Model	Height mm	Rated voltage	Current A	Electronic Resistance	Inductance mH	Holding torque mN.m	Number of leads	Moment of inertia g.cm <sup>2</sup>	Weight g
42HD0011-02	23	12	0.4	30	33	130	4	19	120
42HD1012-01	26	12.5	0.25	50	61	185	4	28	150
42HD3011-01	29	11.2	0.4	28	38	260	4	33	180
42HD2037-01	34	3	1.5	2	3.4	280	4	38	210
42HD4027-01	40	3.3	1.5	2.2	3.8	400	4	57	275
42HD6021-01	48	3.3	1.5	2.2	4.4	500	4	82	360
42HD8011-01	60	3.3	1.5	2.2	5	650	4	128	480

Note: Motor length L1, shaft length L2, L3, lead length L4 can be customized according to customer requirements



Electrical schematic diagram



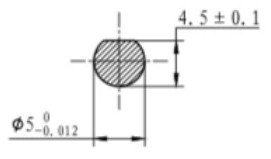
Excitation sequence vs. rotation direction

STEP	A	B	C	D	Rotation
1	+	+	-	-	ccw ↑
2	-	+	+	-	
3	-	-	+	+	
4	+	-	-	+	

Clockwise from the installation surface

Electrical Characteristics	
1. Phase number	2 Phase
2. Step angle	1.8°
3. Rated voltage	3.3V DC
4. Rated current	1.5A
5. Maintain torque	400mN.mM in (two-phase power-on)
6. Electronic Resistance	2.2Ω ± 10% (20° C)
7. Phase inductance	3.8mH ± 20% (1kHz 1V rms)
8. Inertance	57g.cm <sup>2</sup>
9. Motor weight	275g Ref.
10. Insulation electronic resistance	100MΩ Min. (DC 500V)
11. Insulation grade	B (130° C)

C-C (2:1)



版本记录 REVISION RECORD						名称 TITLE	
REV.	设计 DESIGN	审核 CHECK	批准 APPROVE	未注公差 Tolerance sheet	日期 DATE	图号 DWG No.	电机规格书 MOTOR SPECIFICATION
				X ±0.3 X' ±1°		42HD4027-01-A	第一角画法 FIRST ANGLE PICTORIAL
				X.X ±0.1 X.X' ±0.1°			
				X.XX ±0.01 X.XX' ±0.01°		单位 Unit:mm	比例 Scale 1:1
				X.XXX ±0.002		Sheet 1 of 1	版本 Version: A