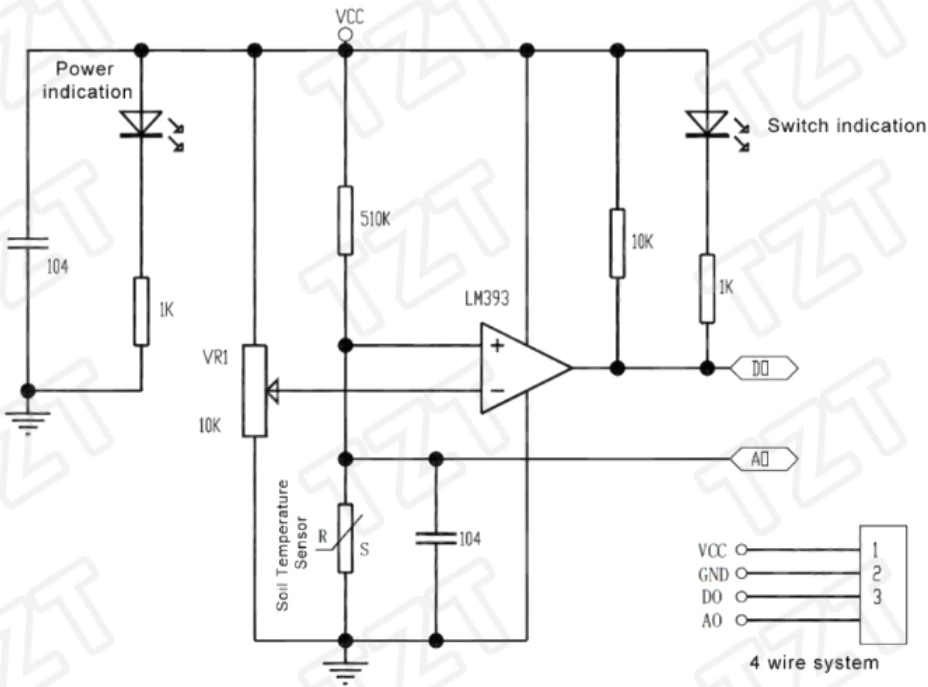
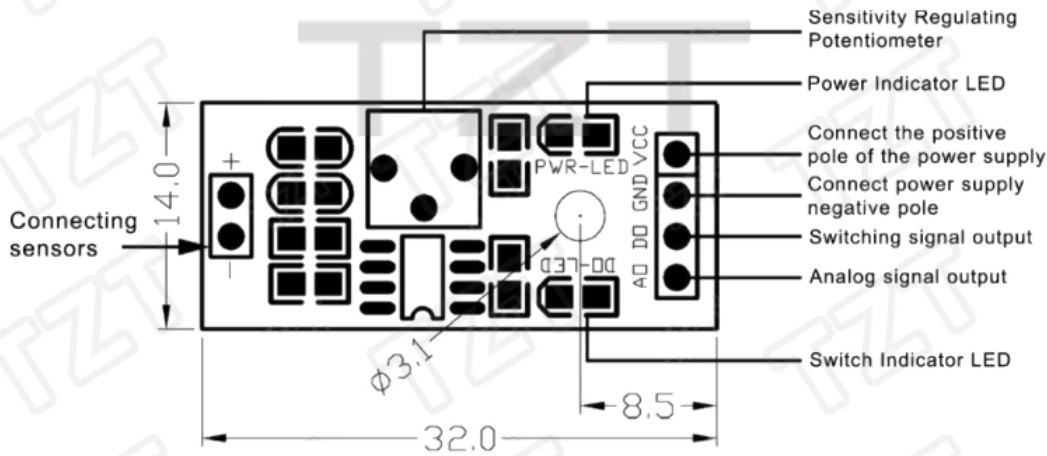


PRODUCT Soil moisture sensor

Product instruction

- High-quality soil sensors for soil moisture detection, nickel-plated surfacetreatment, widening the induction area, can improve the conductivity, prevent contact with soil easy to rust, prolong service life
- The product can control soil moisture in a wide range, and control the corresponding threshold through potentiometer regulation. When the humidity is lower than the set value, DO output high level, and when the humidity is higher than the set value, DO output low level
- Comparator uses LM393 chip and works stably
- Working voltage 3.3V-5V
- Fixed bolt hole for easy installation
- PCB size: 3.1cm * 1.43cm

Wiring instructions



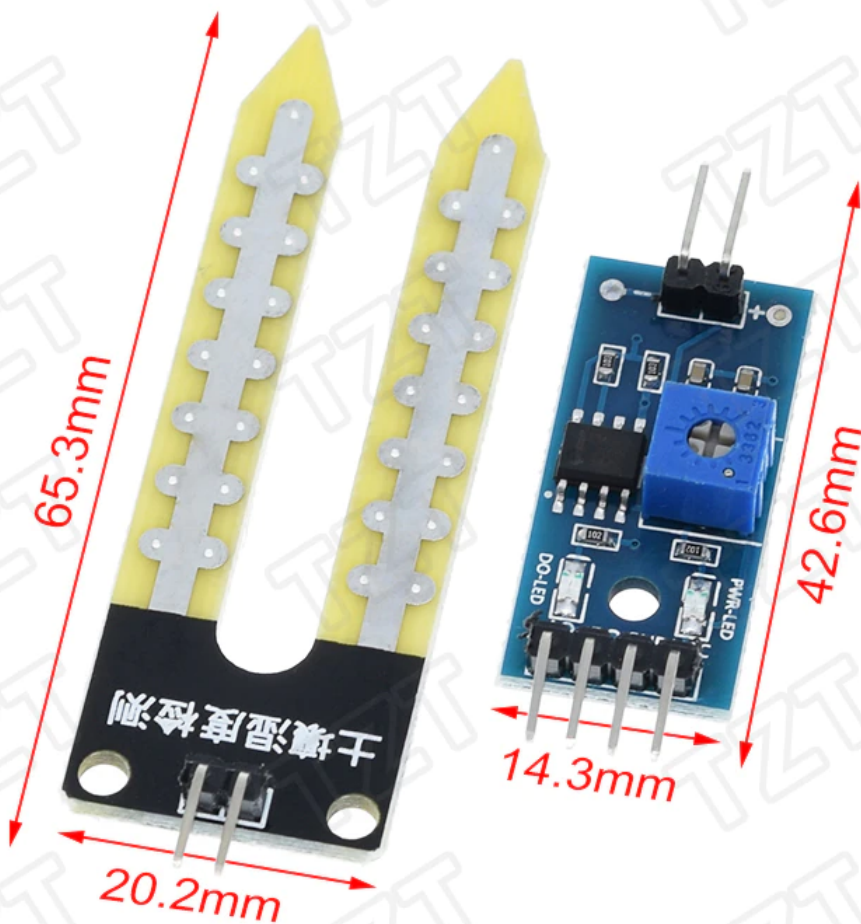
Module usage instructions

- sensors are suitable for soil moisture detection.
- The blue potentiometer in the module is used to adjust the threshold value of soil moisture. The larger the humidity is controlled clockwise, the smaller the counterclockwise.
- Digital output D0 can be directly connected with single-chip computer, which can detect the high and low levels of soil moisture.
- The output AO of small board analogue can be connected with AD module, and more precise values of soil moisture can be obtained by AD conversion.

Product applications

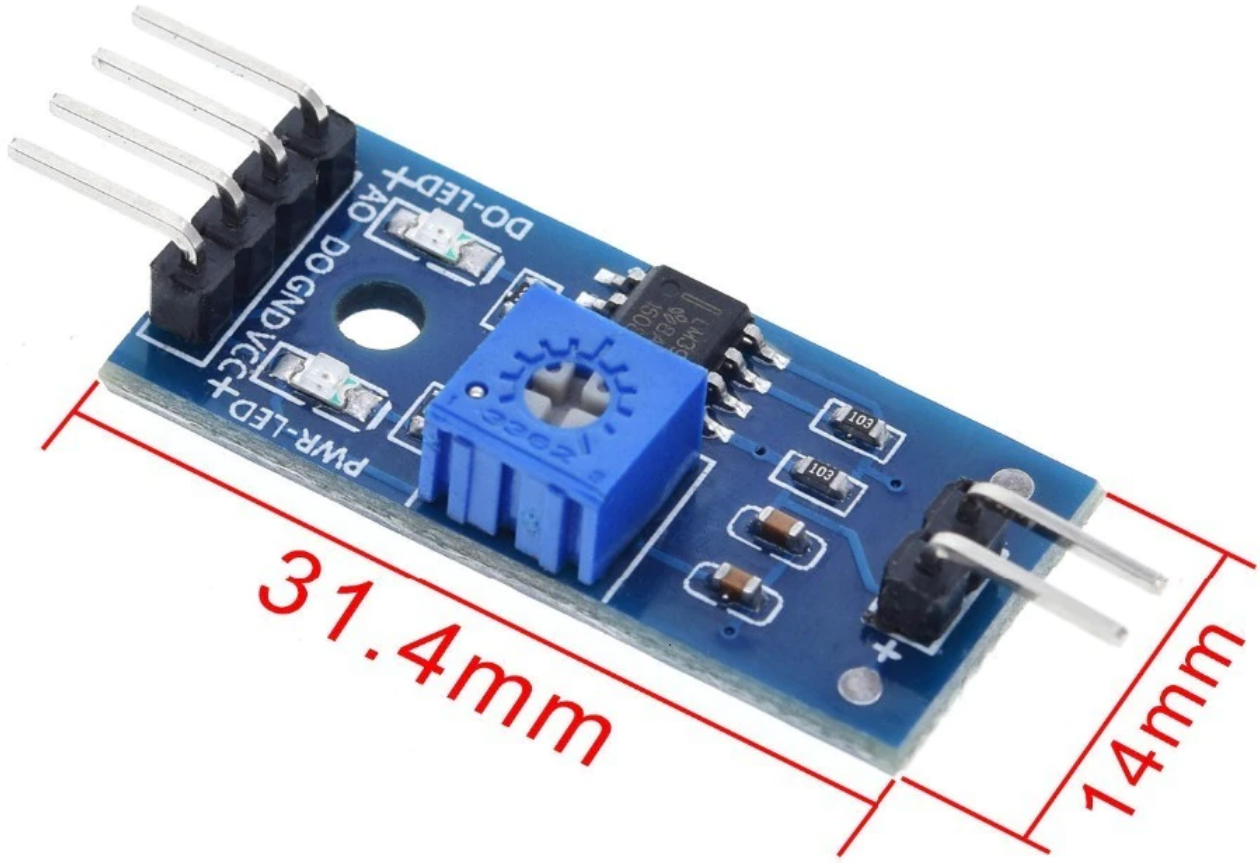
The threshold of soil moisture control can be adjusted by potentiometer, which can automatically control vegetable garden, garden watering, soil moisture off family flowerpot, various electronic competitions, electronic building blocks, Arduino design, etc.

Weight: 7.1g
(With line)



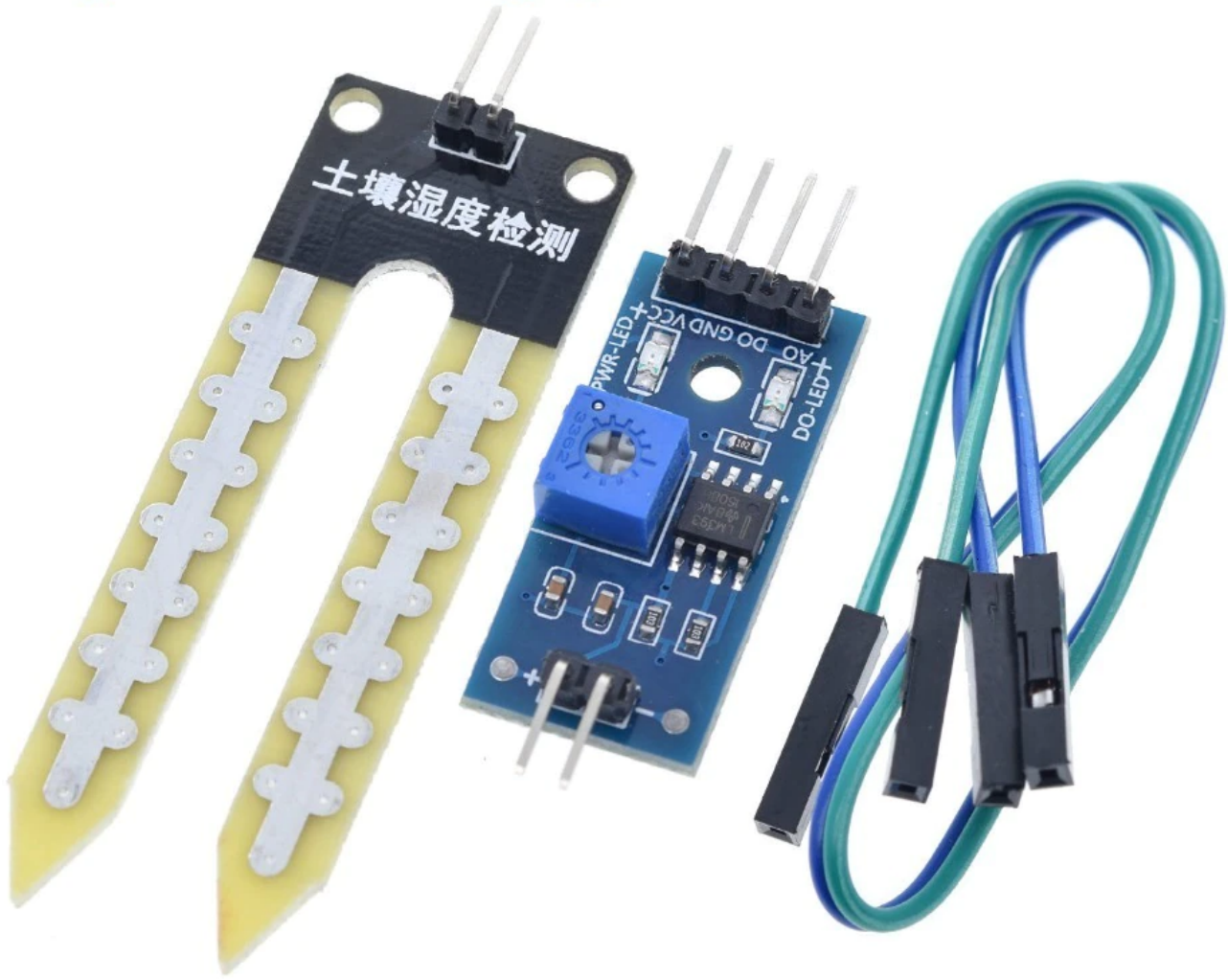


All_goods_are_free_shipping



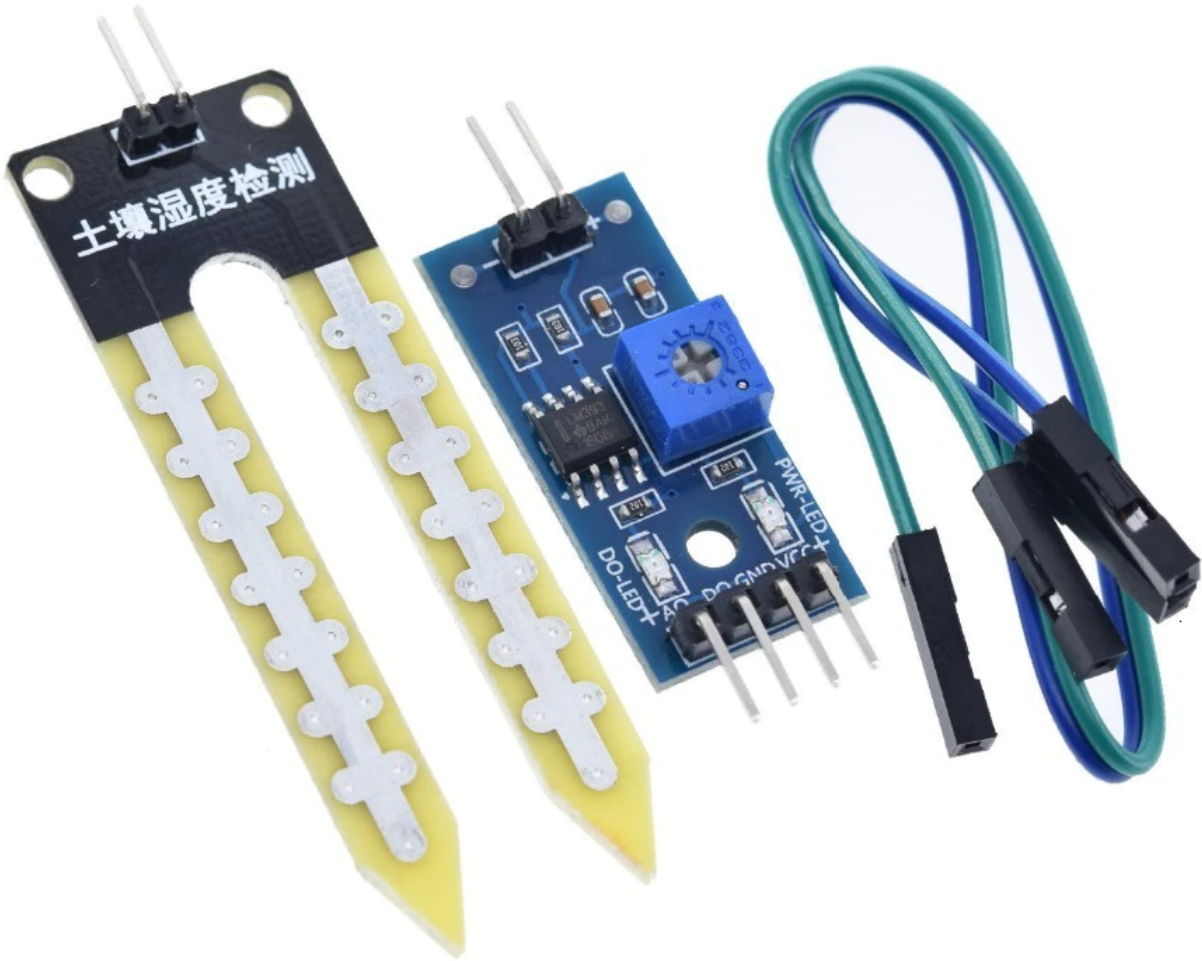


All_goods_are_free_shipping



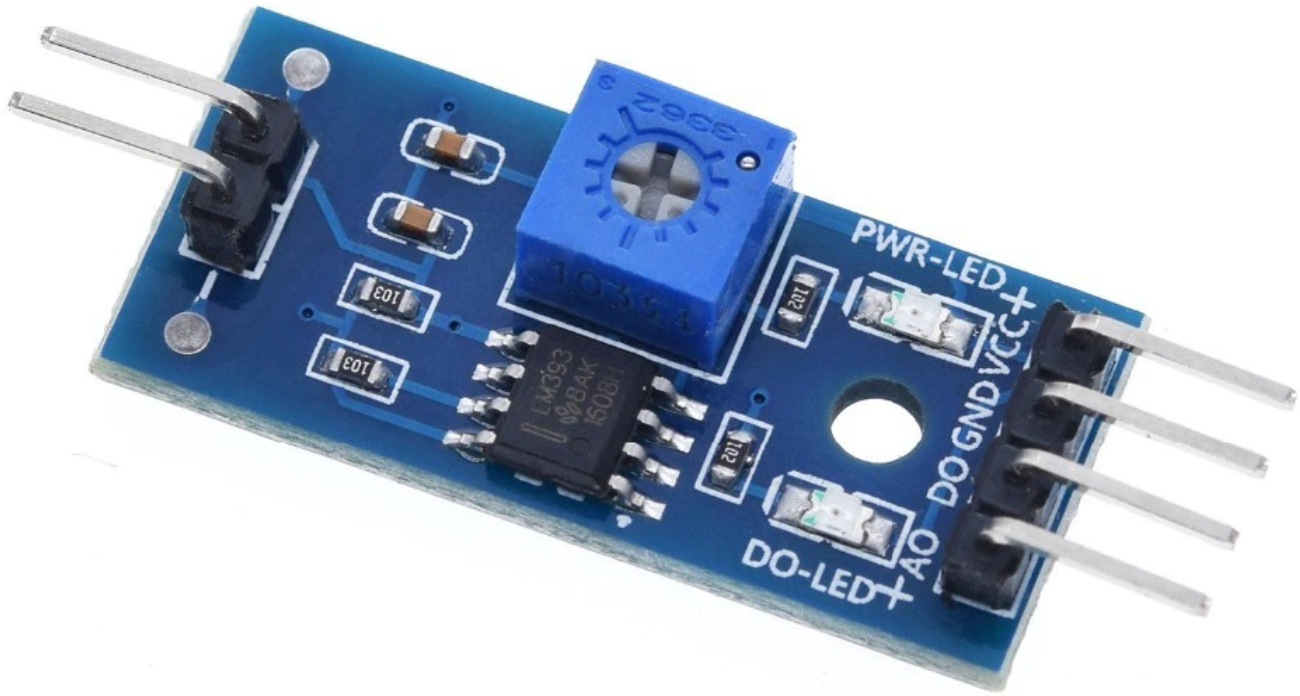


All_goods_are_free_shipping



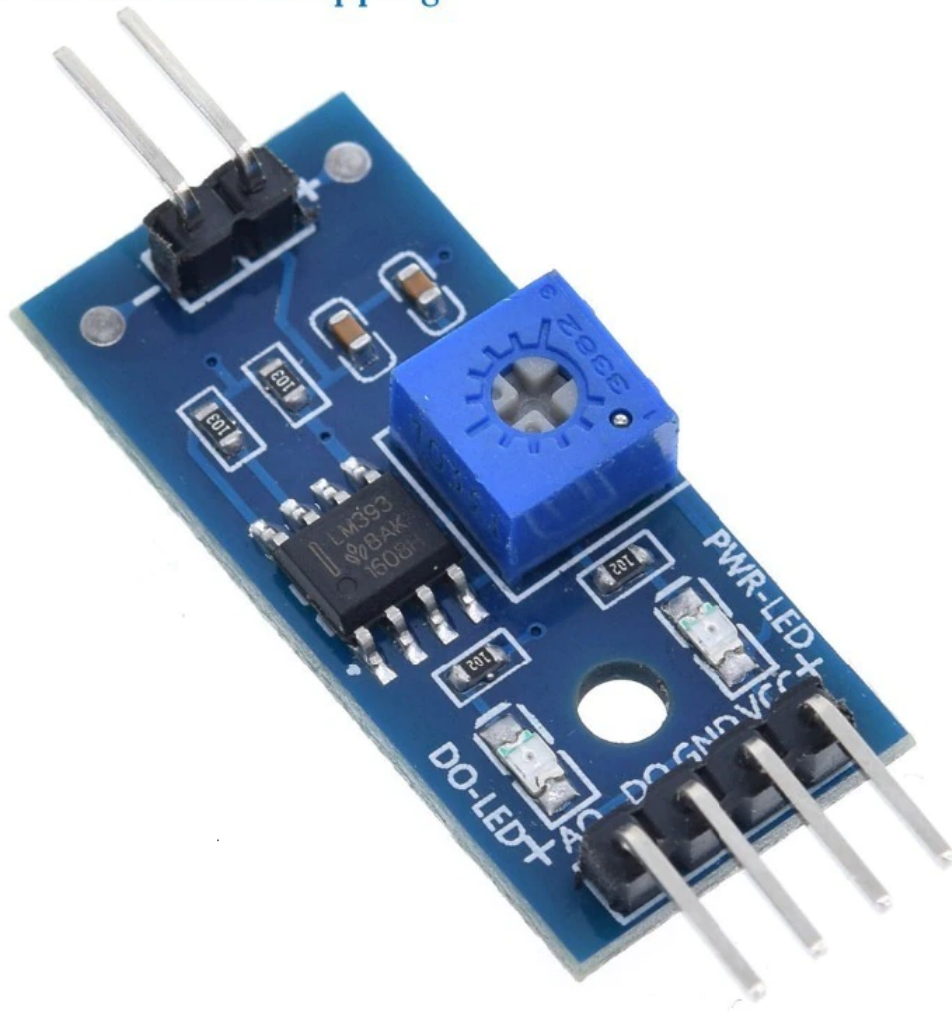


All_goods_are_free_shipping





All_goods_are_free_shipping



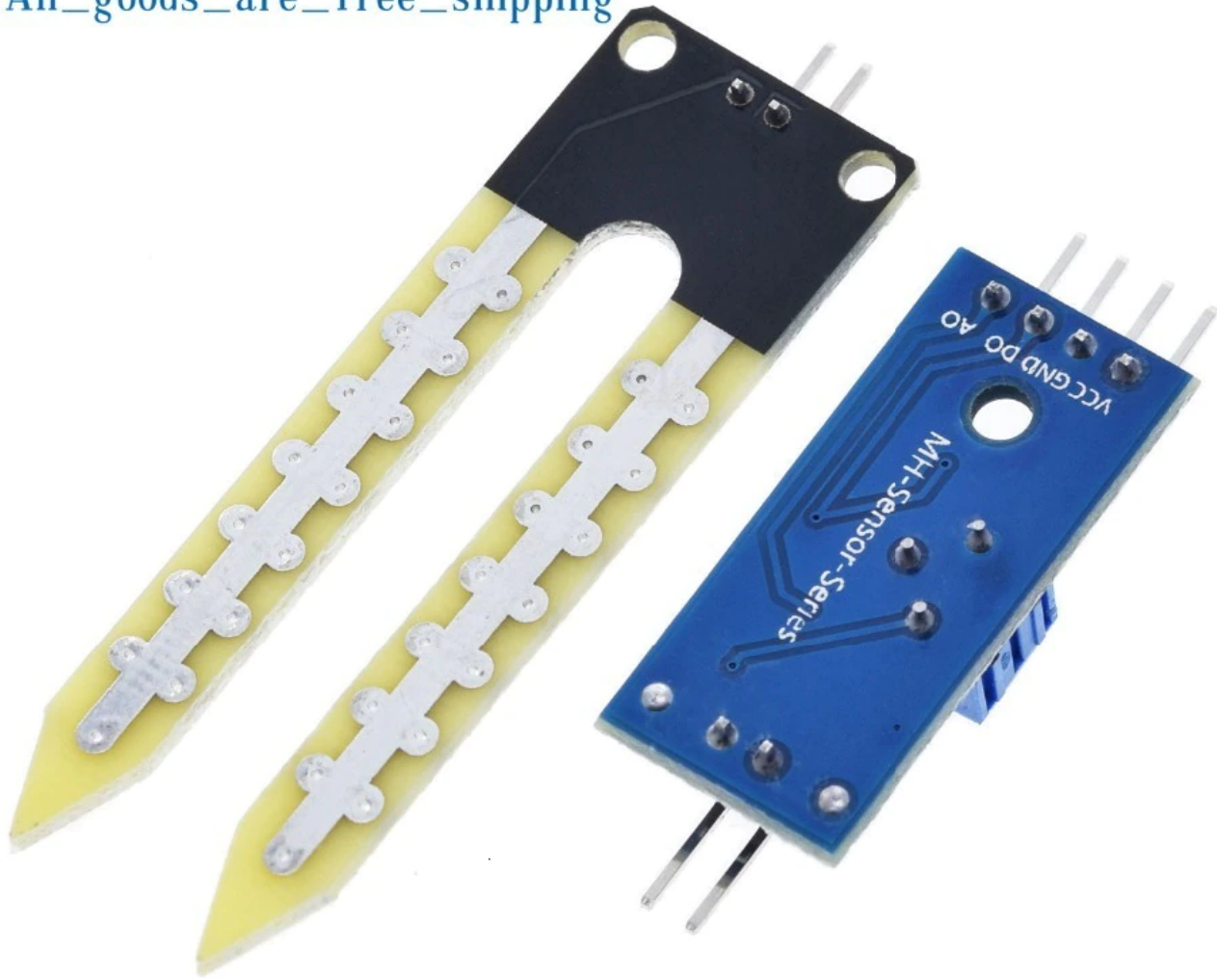


All_goods_are_free_shipping



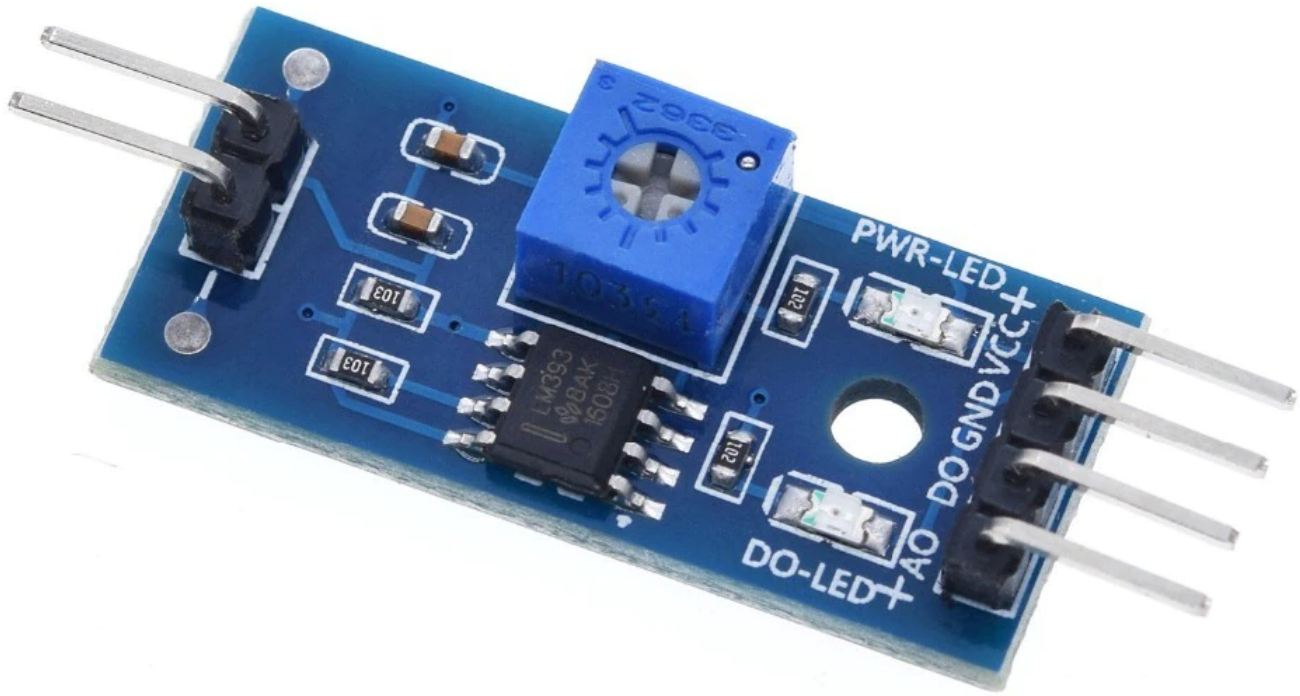


All_goods_are_free_shipping



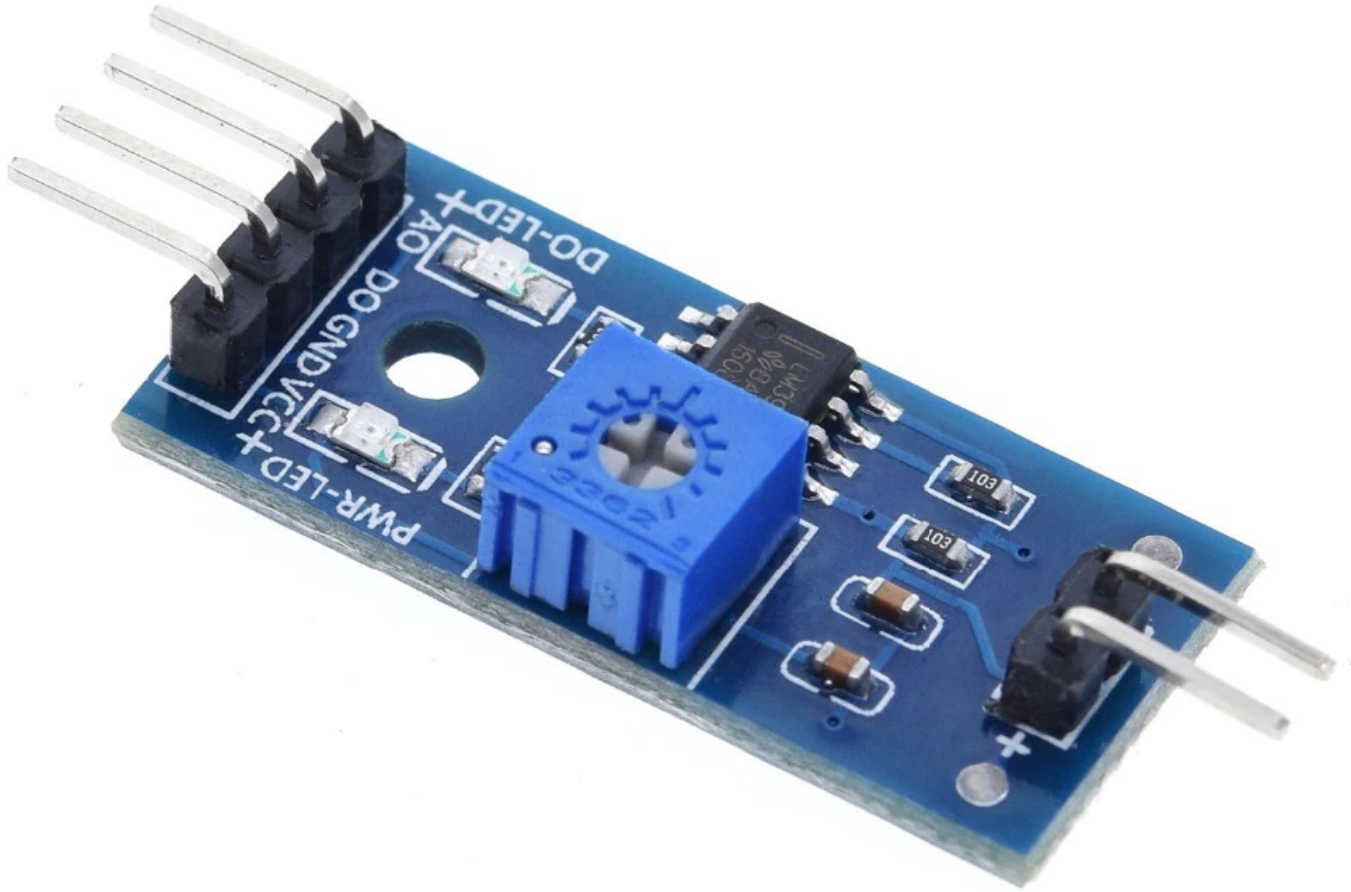


All_goods_are_free_shipping





All_goods_are_free_shipping





All_goods_are_free_shipping

